

STATE OF ARKANSAS  
STATE HIGHWAY DEPARTMENT

FISCAL YEAR	JOB NO.	SHEET NO.	TOTAL SHEETS
1929	1010	1	22

PLAN OF PROPOSED BRIDGES  
ON  
PARAGOULD-CORNING ROAD  
GREENE COUNTY

INDEX OF SHEETS

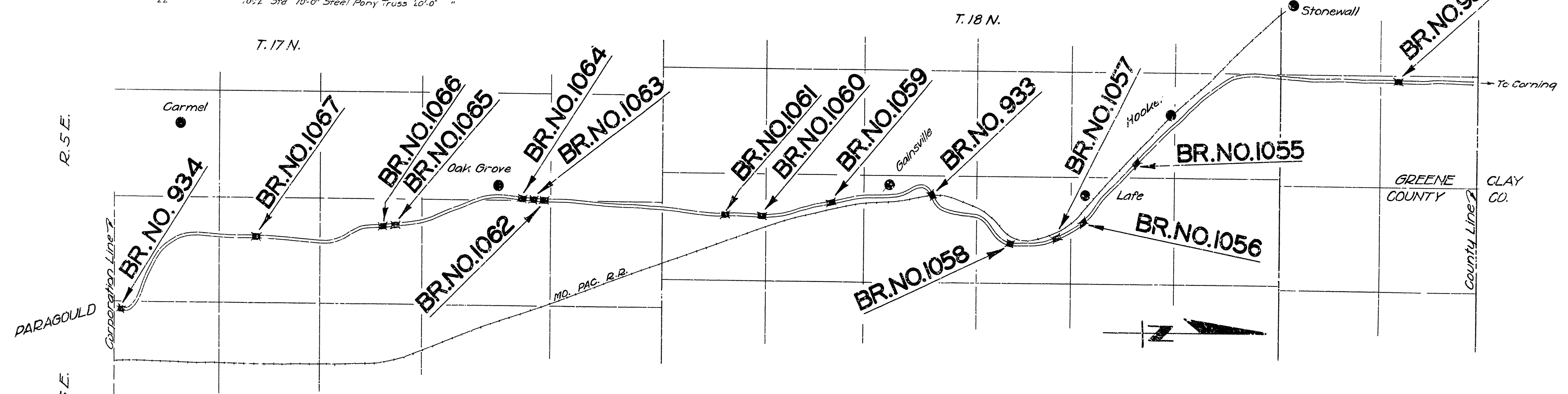
Sheet No.	Drawg. No.	Title
1	1424	Title Sheet
2	1425	Layout Bridge 932
3	1426	Details " "
4	1427	" " "
5	1096	Std. 80'-6" low truss 1 panel sk. w.
6	1428	Layout Br. 1055, 1056 & 1057
7	1429	Details Bridge 1056
8	1430	Layout Bridge 933
9	1431	Details " "
10	1432	" " "
11	1433	" " "
12	1434	" " "
13	1435	Layout " 1058, 1059, 1060, 1061
14	1436	" " 1062, 1063, 1064
15	4	45° Bulkhead Wing
16	1439	Layout Bridge 1065, 1066, 1067
17	16	19'-0" Std. T.T. 19'-0" Roadway
18	8	19'-0" Std. T.T. Skew 19'-0" Roadway
19	1439	Layout Bridge 934
20	1440	Details " "
21	1002	Std. 30'-0" R.C.D. Girder 20'-0" Roadway
22	1022	Std. 70'-0" Steel Pony Truss 20'-0" "

ROUTE 1 SEC. 20  
JOB No 1010  
FEDERAL AID PROJECT No.

QUANTITIES

ITEM NO 12	EARTH EXCAVATION	311 Cu yds
ITEM NO 13	WET EXCAVATION	745 Cu yds
ITEM NO 13	WET EXCAVATION	624 Cu yds
ITEM NO 17	EMERGENCY	3749 Cu yds
ITEM NO 52	UNTREATED TIMBER	5161 FB M
ITEM NO 52	UNTREATED TIMBER	148099 FB M
ITEM NO 54	CLASS A CONCRETE (TOTAL CONCRETE)	4220 Cu yds
ITEM NO 54	CLASS A CONCRETE	3271.69 Cu yds
ITEM NO 54	CLASS B CONCRETE	390.37 Cu yds
ITEM NO 55	REINFORCING STEEL	149925 Lbs
ITEM NO 56	STRUCTURAL STEEL (TRUSSES)	110452 Lbs
ITEM NO 66	UNTREATED TIMBER PILING	2650 Lin. Ft
ITEM NO 67	TREATED TIMBER PILING	5374 Lin. Ft
ITEM NO 69	RIP RAP	54059 yds
ITEM NO 74	CONCRETE PAVING	579.46 Lin. Ft
	CUT OFFS	498 Lin. Ft

Note: Contractor to remove all existing bridges on right of way within bridge exceptions.



Specifications approved by Chief, Bureau of Public Roads, September 28, 1925, and adopted by State Highway Commission May 30, 1925, with approved revisions and Special Provisions as follows:

SPECIAL PROVISIONS

Treated Timber Piling Cutoff	1
Treated Timber Supplementing Par. 522	1
Revisions to Par. 17.2 & 17.3	1
Seal Concrete	2

LAYOUT

Scale: 1" = 2500'  
GROSS LENGTH OF PROJECT - 1093'-8 3/4" 0.207 MI.  
NET LENGTH OF PROJECT " " "

APPROVED

COMMISSIONER - STATE LANDS, HIGHWAYS AND IMPROVEMENTS

APPROVED

STATE HIGHWAY ENGINEER

RECOMMENDED FOR APPROVAL

DISTRICT ENGINEER - U. S. BUREAU OF PUBLIC ROADS

RECOMMENDED FOR APPROVAL

CHIEF ENGINEER - U. S. BUREAU OF PUBLIC ROADS

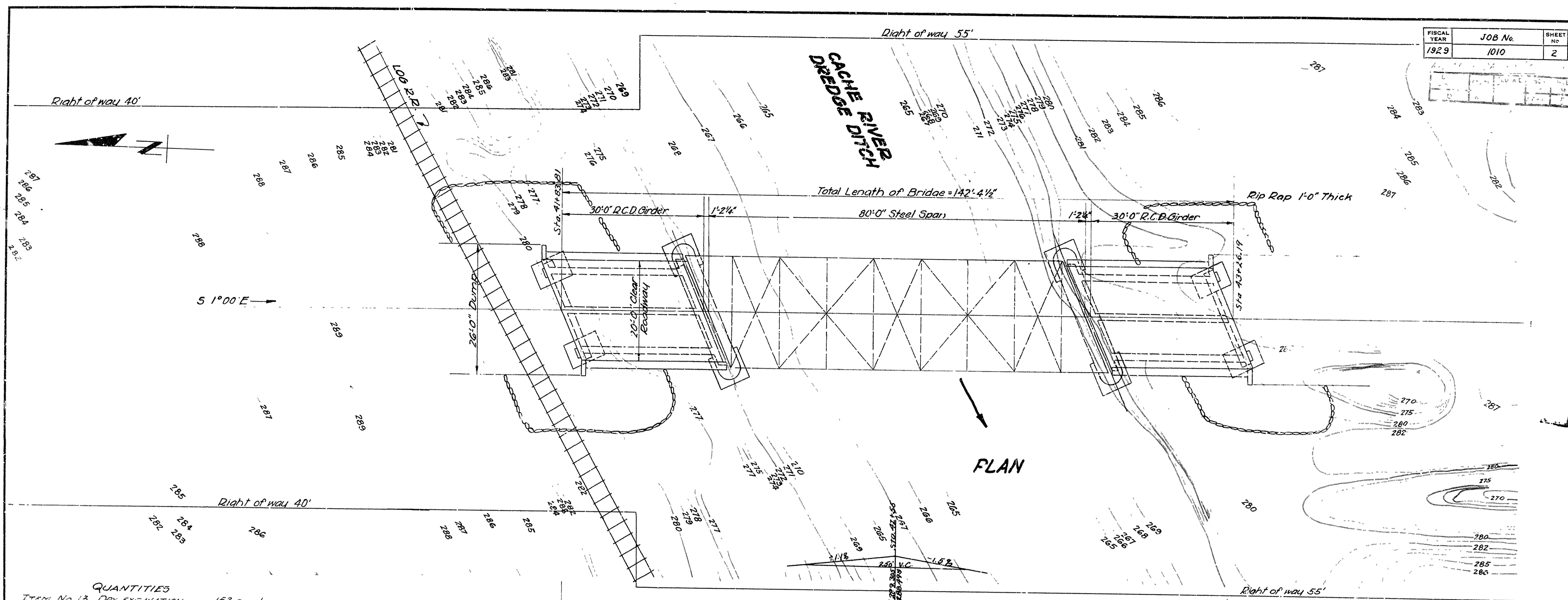
APPROVED

DIRECTOR - U. S. BUREAU OF PUBLIC ROADS

M. B. Barner  
BRIDGE ENGINEER

BRIDGE NO. 932-934, Incl.  
BRIDGE NO. 1055-1057 Incl. DRAWING NO. 1424

FISCAL YEAR	JOB No.	SHEET No.	TOTAL SHEETS
1929	1010	2	22



PLAN

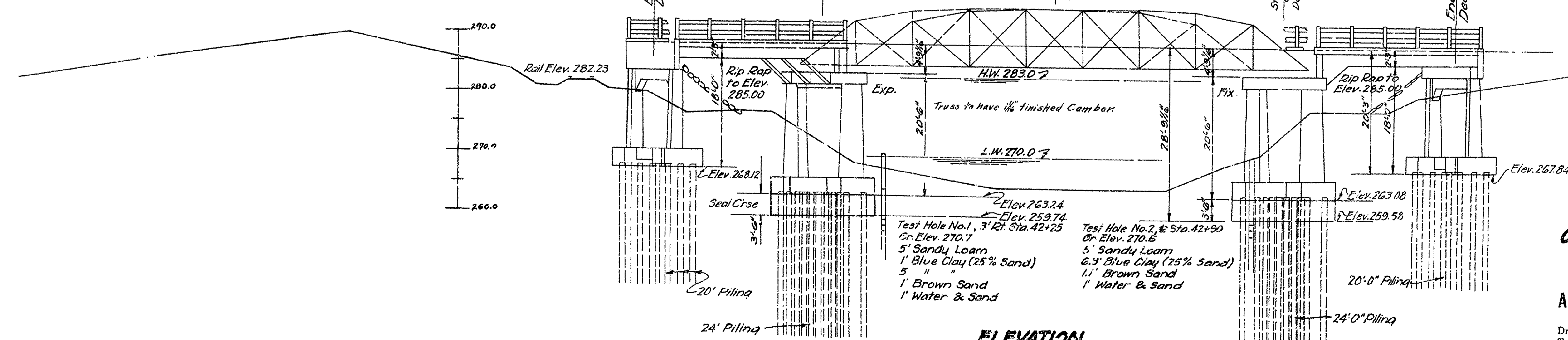
**QUANTITIES**

ITEM No 13 DRY EXCAVATION	152 CU Yds
" 13 NET "	349 "
" 54 DEAL CONC (CLASS "A")	265 "
" 54 CLASS "A" CONC.	183.17 "
" 34 " " 5 "	120.65 "
" 55 REINF. STEEL	42,609 LBS.
" 30 STRUCT	60,041 LBS.
" 66 UNTR. PILING	1536 L. FT.
" 69 RIP. RAP.	340 Sq Yds.
" 74 CONC. RAILING	126 L. FT.
" 17 BORROW	500 CU Yds.

B.M. Nail in side of 10" Willow Tree 50' Rt. Sta. 42+00 Elev. 280.60

Bridge Contractor to Construct Embankment Around Bridge Ends.  
FOR DETAILS, SEE DRAWINGS NO. 1426, 1427, & 1096

F.M. Nail in 18" Cypress Tree 35' Rt. Sta. 49+00 Elev. 283.39



ELEVATION

**LAYOUT OF BRIDGE OVER CACHE RIVER DREDGE DITCH PARAGOULD-NORTH ROAD ROUTE 1 SEC. 20**

ARKANSAS STATE HIGHWAY DEPARTMENT  
LITTLE ROCK, ARK.

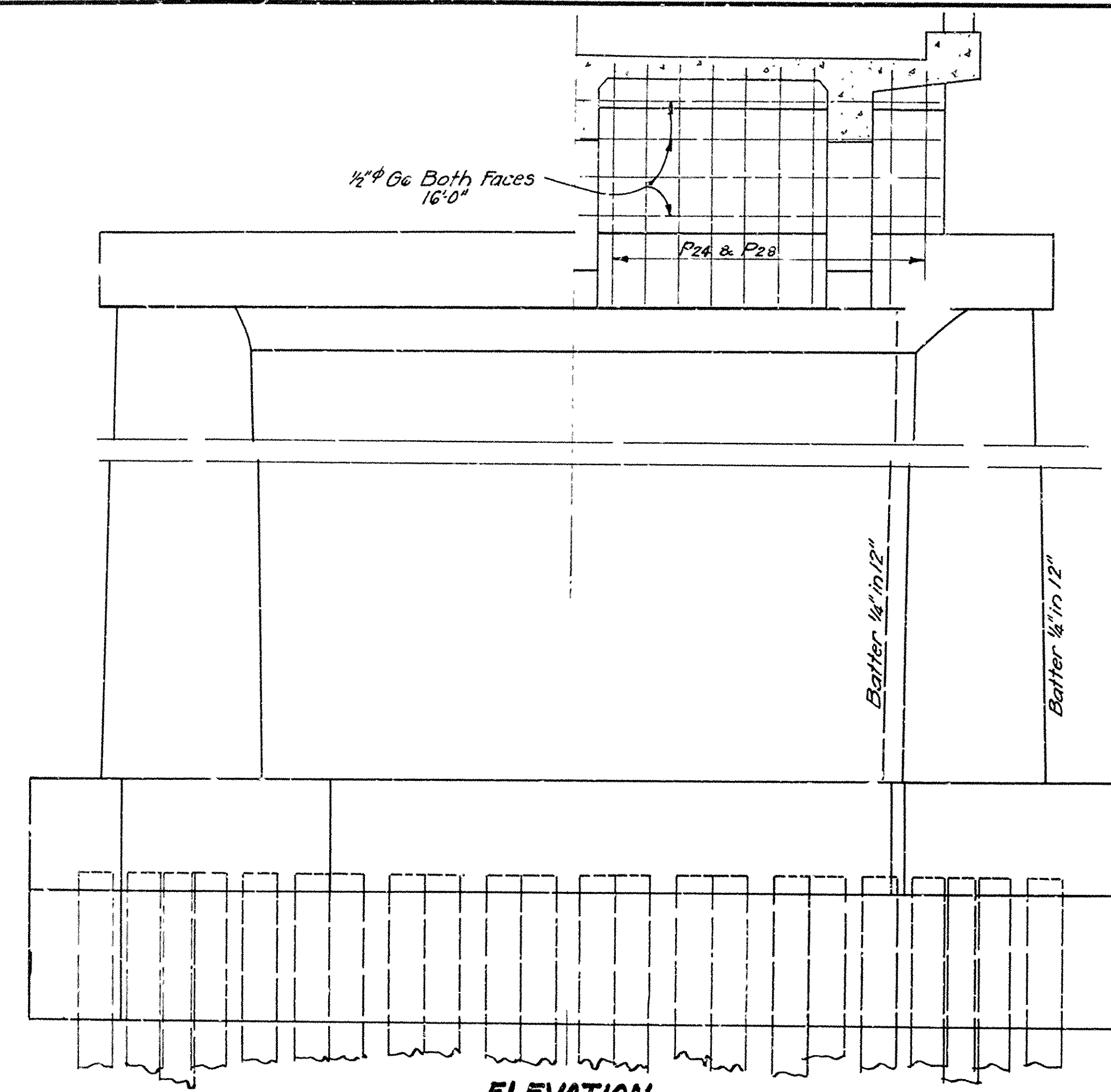
Drawn By: *F.P.B.* Date: 2-18-29  
Traced By: *G.A.* Date: 2-19-29  
Checked By: *M.* Date: 3-4-29

*N.B. Sawyer*  
BRIDGE ENGINEER

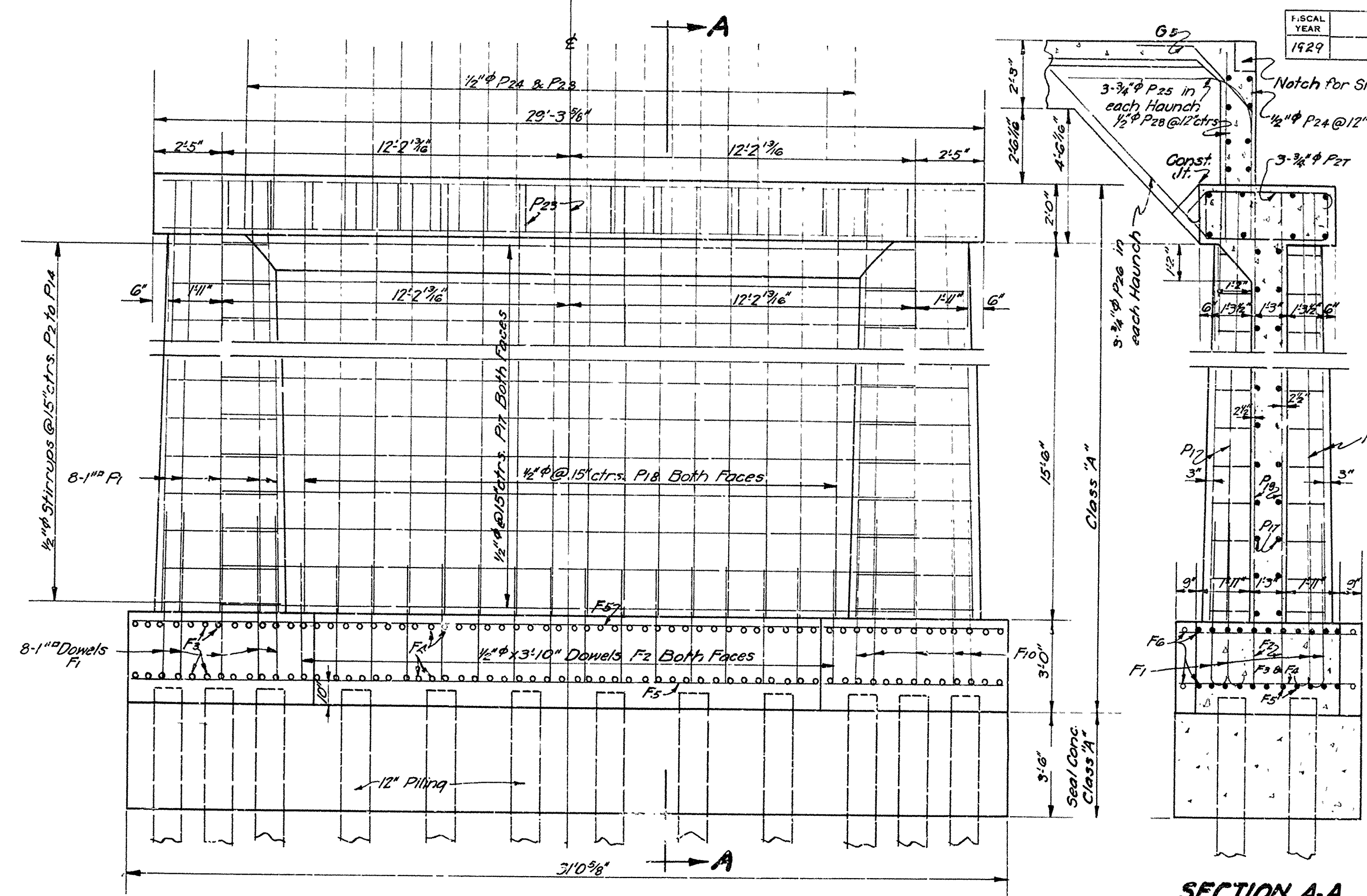
BRIDGE NO. 932 SCALE: 1/4" = 10 ft. DRAWING NO. 1425



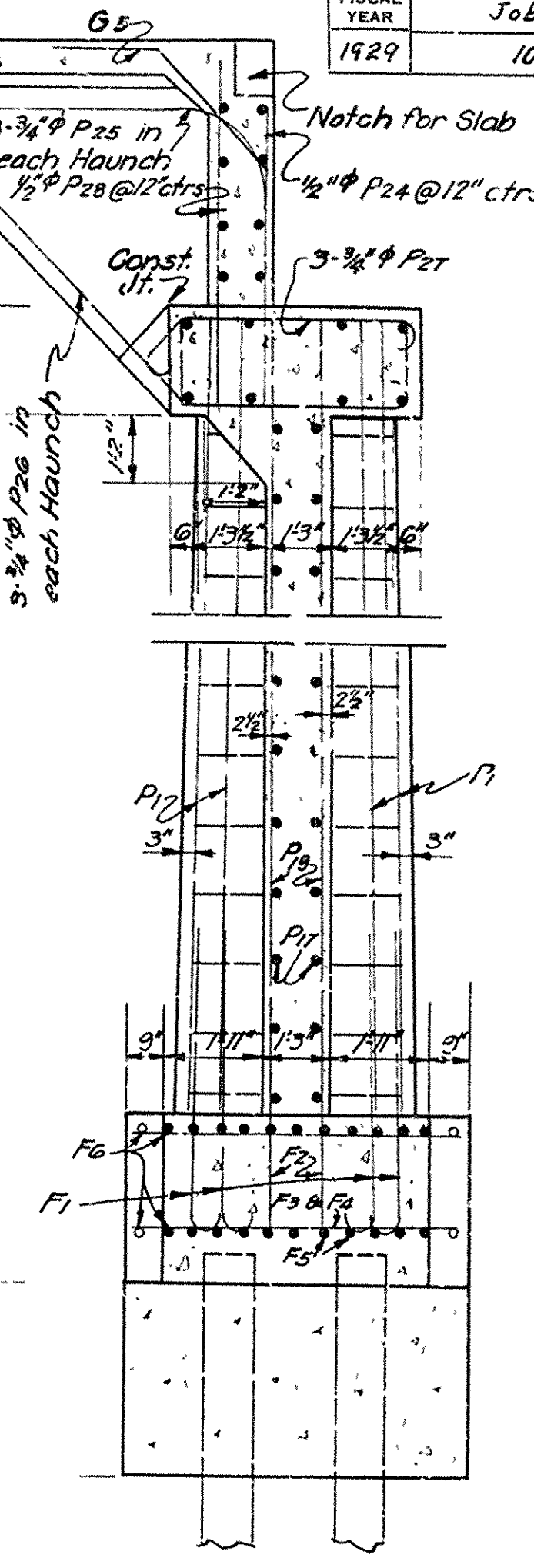
FISCAL YEAR	Job No.	SHEET NO.	TOTAL SHEETS
1929	1010	3	22



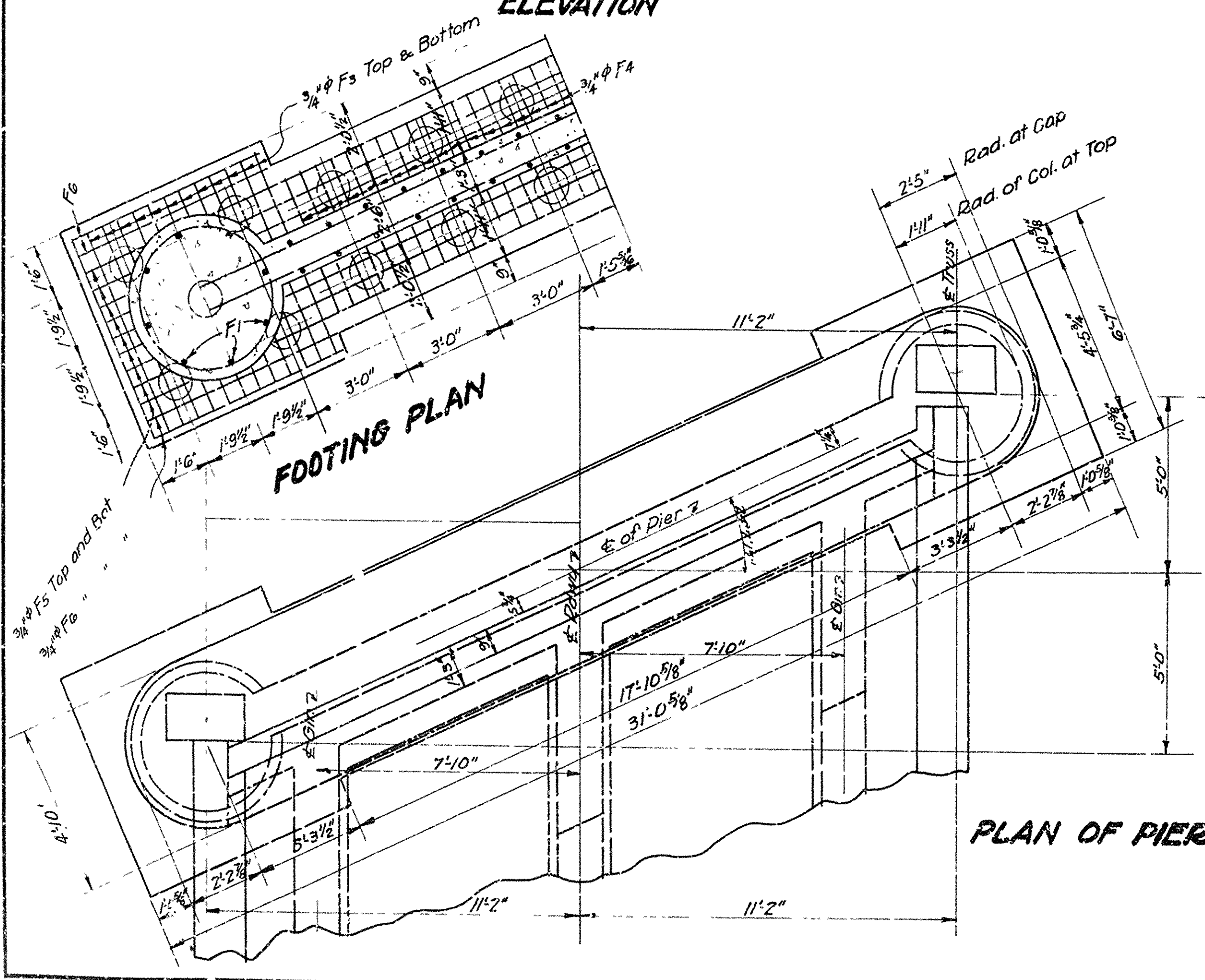
ELEVATION



VIEW NORMAL TO PIERS 1 & 2

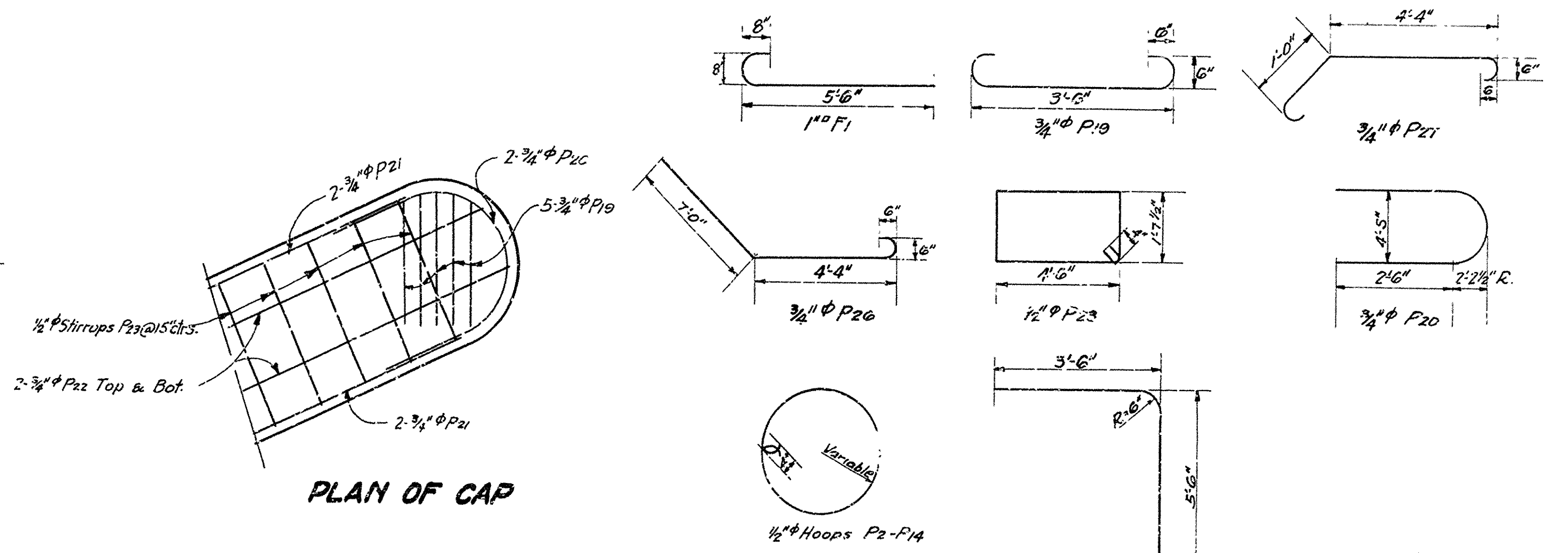


SECTION A-A



FOOTINGS PLAN

PLAN OF PIER



PLAN OF CAP

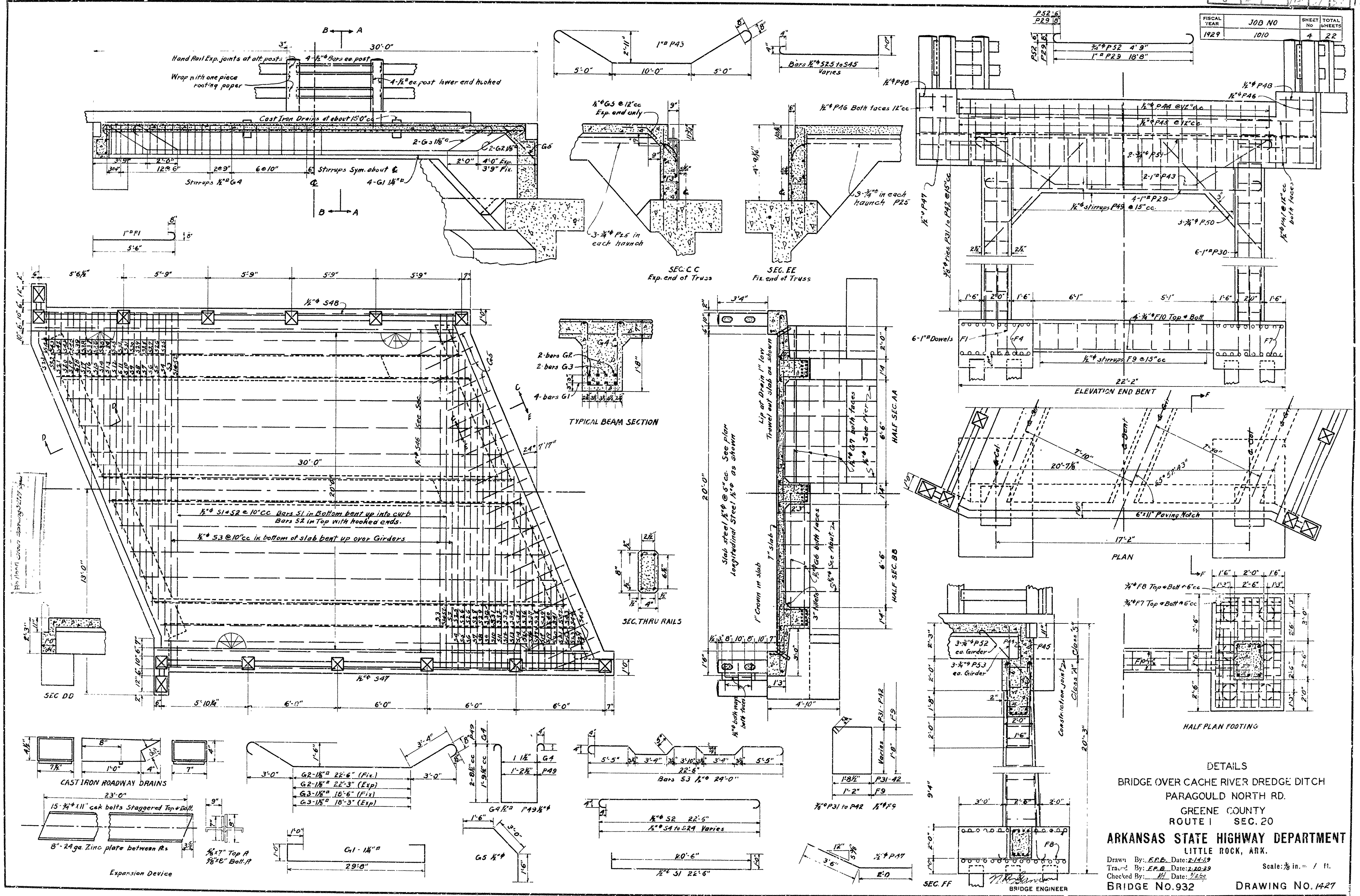
**DETAILS OF PIERS NO. 1 & 2  
BR. OVER CACHE RIVER DE PITCH  
PARAGOULD-NORTH ROAD  
GREENE COUNTY**

ROUTE 1 SEC. 20  
**ARKANSAS STATE HIGHWAY DEPARTMENT**  
LITTLE ROCK, ARK.  
Drawn By: *ERB* Date: 2-2-27  
Traced By: *GB* Date: 2-18-27  
Checked By: *Swain* Date: 2/18/29  
Scale: 3/8" = 1 ft.  
**BRIDGE NO. 932** DRAWING NO. 1426

*M.B. Sawyer*  
BRIDGE ENGINEER



FISCAL YEAR	JOB NO	SHEET NO	TOTAL SHEETS
1929	1010	4	22



BRIDGE OVER CACHE RIVER DREDGE DITCH  
 PARAGOULD NORTH RD.  
 GREENE COUNTY  
 ROUTE 1 SEC. 20  
**ARKANSAS STATE HIGHWAY DEPARTMENT**  
 LITTLE ROCK, ARK.  
 Drawn By: E.E.B. Date: 2/14/29  
 Traced By: E.P.B. Date: 2/20/29  
 Checked By: H.L. Date: 2/25/29  
 Scale: 3/8" = 1' ft.  
**BRIDGE NO. 932 DRAWING NO. 1427**



